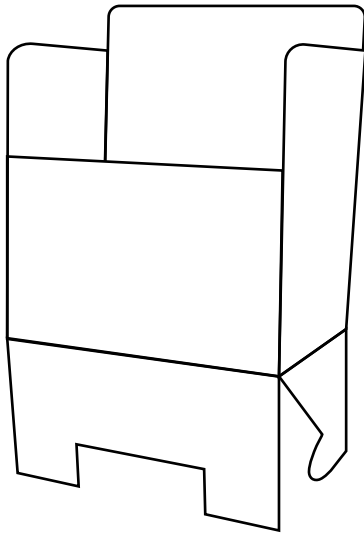
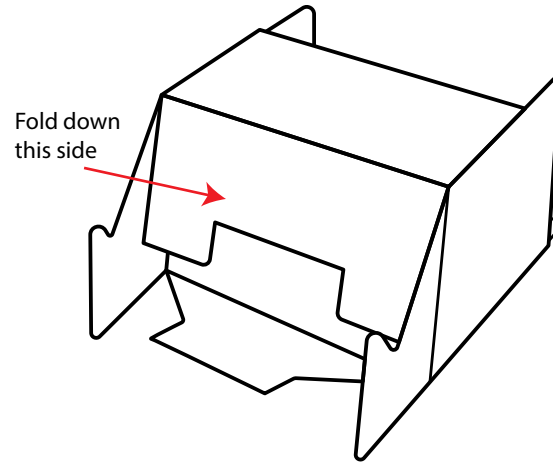


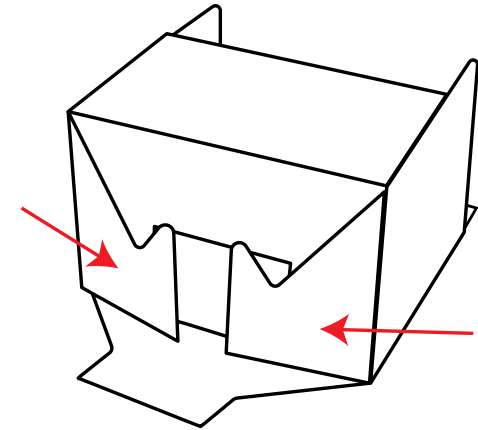
## HOW TO PUT TOGETHER SB24 SLIDE BINS



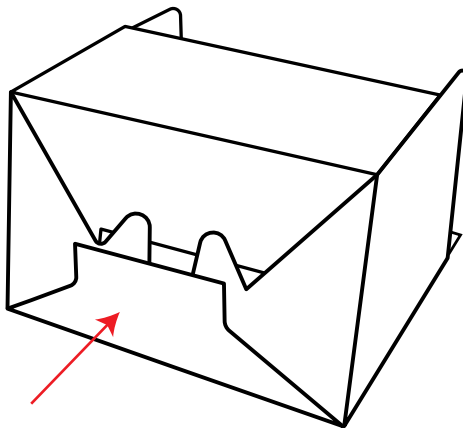
1. Hold the Slide Bin with the shorter side towards you



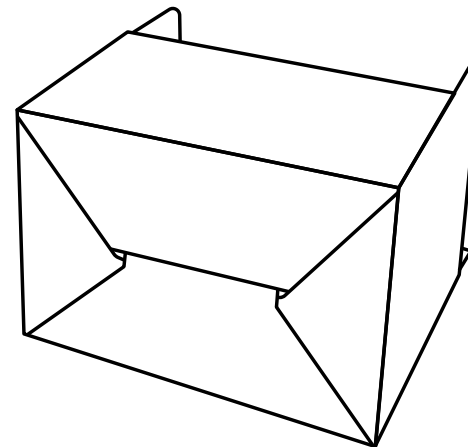
2. Tilt back and fold down the side with the cutout



3. Then fold the shorts sides over it



4. Fold the side with the tab over everything



5. Push gently until the tab and the short sides pop into place